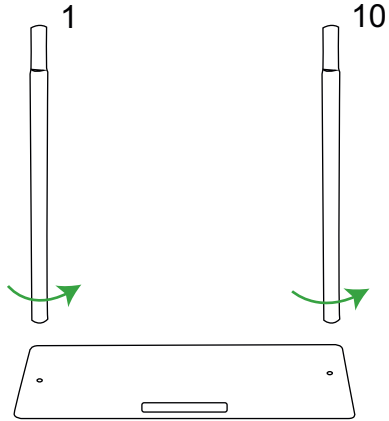
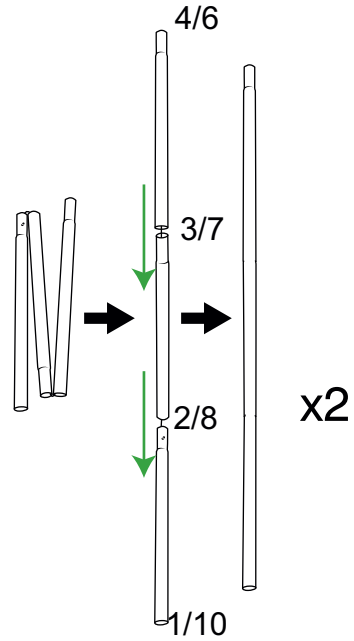


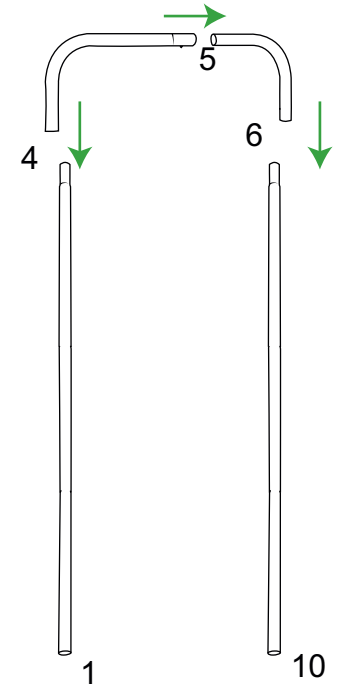
1



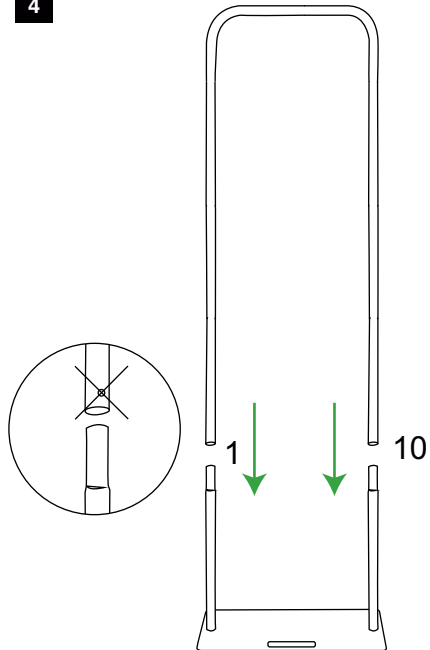
2



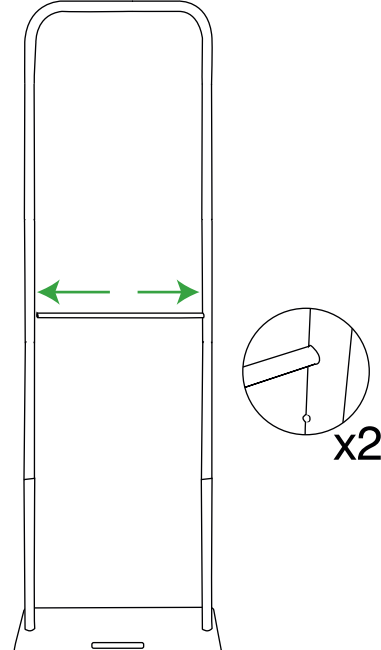
3



4



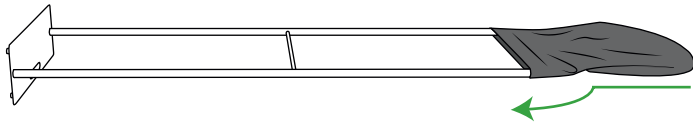
5



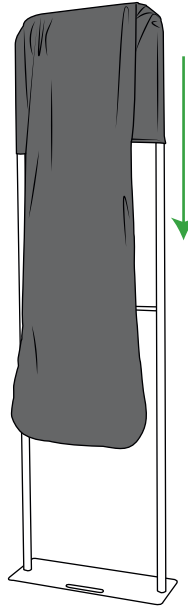
FORMULATE



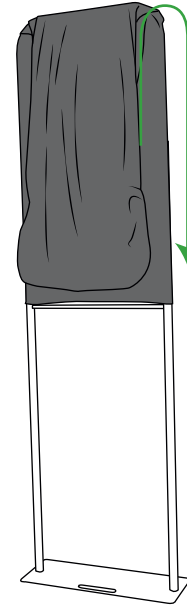
1



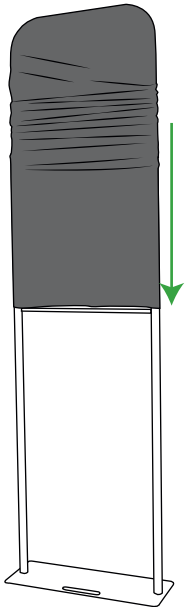
2



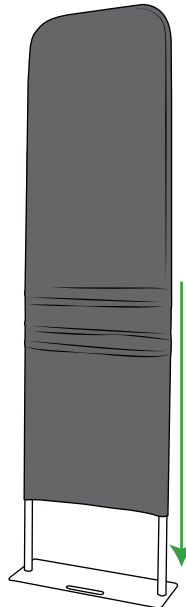
3



4



5



FORMULATE